



Perfectly ClearTM by Calorique

Product Information



PERFECT FOR ANY CONCRETE PASSAGEWAY

Calorique's *Embedded De-icing System* eliminates the stress and worry involving the most hazardous, outdoor surfaces.

The dangers of snow and ice are problematic for any outdoor surface. Calorique's *Embedded De-icing System* uses radiant heat mats that install under any concrete passageway. The mats connect to a sensory control that automatically melts up to 4" of falling snow per hour and eliminates black ice due to re-freezing.

Our *Embedded De-icing System* is an affordable and simple alternative to keep your concrete surfaces and passageways snow and ice free.

Exterior Concrete and Paver Embedded Snow and Ice Melting System

FEATURES

- Residential and Commercial Driveways
- Sidewalks
- Walkways
- Patios
- Under Pavers
- 240V
- Standard widths and lengths
- Easy Installation



Calorique 800-922-9276

2380 Cranberry Highway • West Wareham, MA 02576
info@calorique.com • www.calorique.com



Part Number	Width (inches)	Length (feet)	Voltage (volts)	Power (watts)	Current (amps)
SLB11-50W240V	11	2	240	50	0.21
SLB11-101W240V	11	4	240	101	0.42
SLB11-126W240V	11	5	240	126	0.52
SLB11-151W240V	11	6	240	151	0.63
SLB11-170W240V	11	7	240	170	0.71
SLB11-195W240V	11	8	240	195	0.81
SLB11-220W240V	11	9	240	220	0.92
SLB11-246W240V	11	10	240	246	1.02
SLB22-139W240V	22	2	240	139	0.58
SLB22-279W240V	22	4	240	279	1.16
SLB22-348W240V	22	5	240	348	1.45
SLB22-418W240V	22	6	240	418	1.74
SLB22-470W240V	22	7	240	470	1.96
SLB22-540W240V	22	8	240	540	2.25
SLB22-610W240V	22	9	240	610	2.54
SLB22-679W240V	22	10	240	679	2.83
SLB34-226W240V	34	2	240	226	0.94
SLB34-453W240V	34	4	240	453	1.89
SLB34-566W240V	34	5	240	566	2.36
SLB34-679W240V	34	6	240	679	2.83
SLB34-764W240V	34	7	240	764	3.18
SLB34-878W240V	34	8	240	878	3.66
SLB34-991W240V	34	9	240	991	4.13
SLB34-1104W240V	34	10	240	1104	4.60

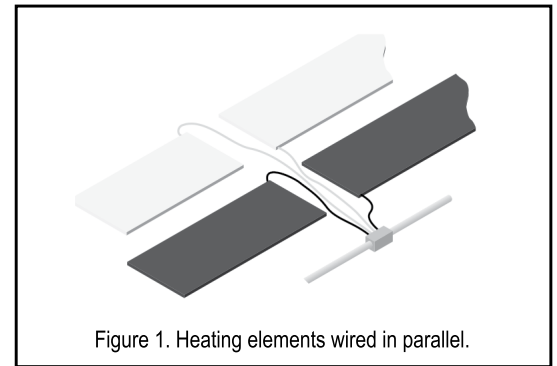


Figure 1. Heating elements wired in parallel.

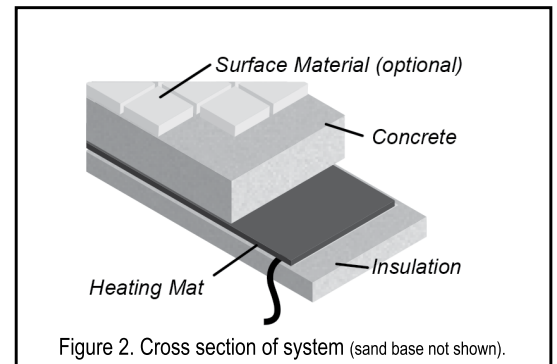


Figure 2. Cross section of system (sand base not shown).

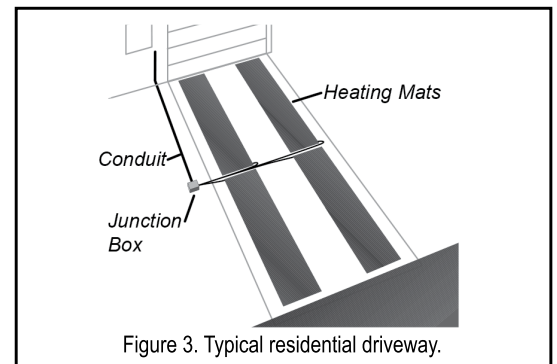


Figure 3. Typical residential driveway.

BASIC INSTALLATION



Lay insulation



Place Mats & hardware



Pour second layer of concrete

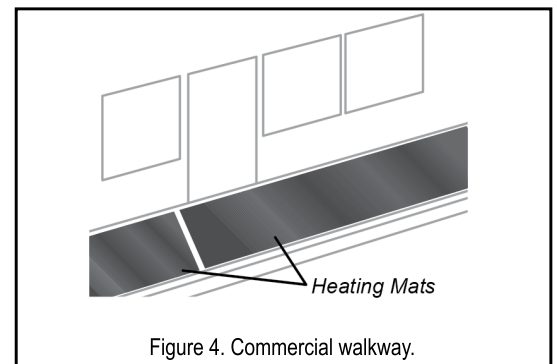


Figure 4. Commercial walkway.

Calorique 800-922-9276

2380 Cranberry Highway • West Wareham, MA 02576
 info@calorique.com • www.calorique.com

