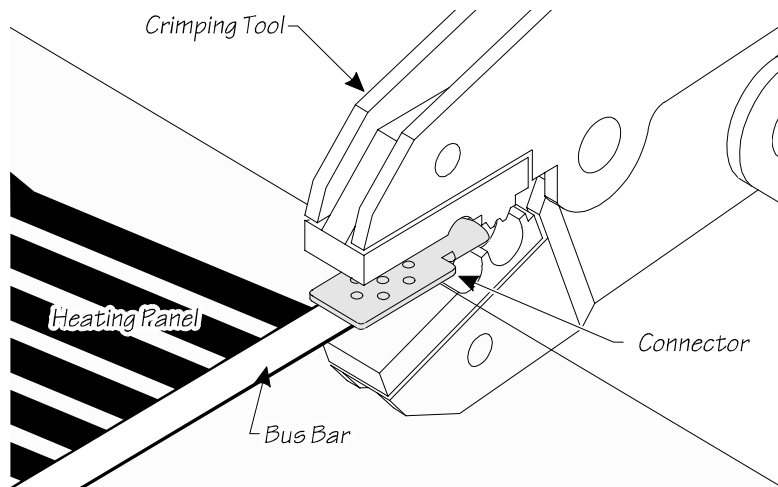


# ATTACHING ELECTRICAL CONNECTORS



## CRIMP A CONNECTOR ONTO THE HEATING ELEMENT

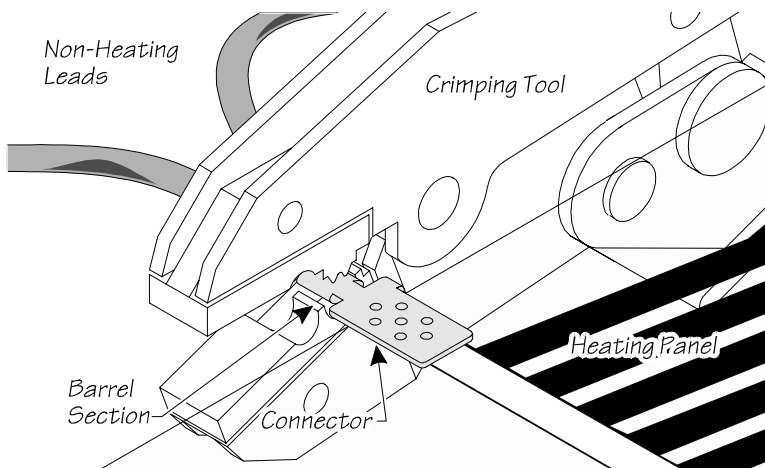
Simply place the electrical connector over the silver colored bus bar, making sure that the connector's teeth will bite into it.

Then crimp the connector into place using the flat portion of the Flexwatt crimping tool. This tool will not release until a proper crimp has been made.

## CRIMP THE WIRE IN PLACE

Insert one or more wires (non-heating leads) into the barrel section of the electrical connector.

Crimp the barrel closed around the wire(s) using the half-circle and "W" section of the Flexwatt crimping tool. If the wire being used is too small, use the flat section of the tool to crimp the wire(s) in position.



## INSULATE THE CONNECTORS

Insulate the connectors by snapping the two halves of the clear Flexwatt insulator in place as shown. The connection may be waterproofed by filling the two insulator halves with silicone before putting them together.

The other end of each bus bar must be insulated. When waterproofing is not necessary, use dielectric ("electrical") tape. One method to waterproof seal that end is to fill an insulator with silicone and clamp it in place over the exposed end of the bus bar.

